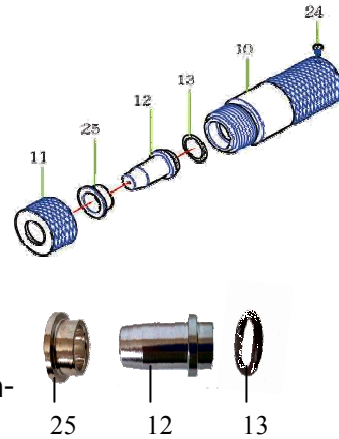


# Mag-I Do-All Gun Kit Pointers

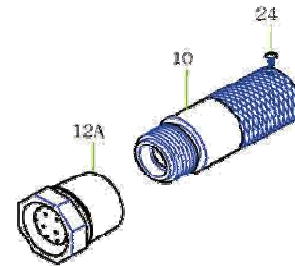
## How to Change Metal Nozzles

- Unscrew # 11 Nozzle cap form # 10 Adjuster Nut
- Remove # 25 Nozzle Spacer, # 12 Nozzle, and # 13 O-Ring.
- Make your nozzle selection from your kit.
- Place # 13 O-ring on the nozzle you selected.
- Place # 25 over the nozzle in the correction position. See drawing and photo.
- Re-attach # 11 Nozzle Cap to # 10 Adjuster Nut.
- If leaking occurs remove # 11 Nozzle cap and confirm the # 13 O-Ring is on the Nozzle and # 25 was put back in the correct position.



## How to Change to Shower Head Nozzle

- Unscrew # 11 Nozzle cap form # 10 Adjuster Nut (See Above Drawing)
- Remove # 25 Nozzle Spacer, # 12 Nozzle, and # 13 O-Ring. (See Above Drawing) **\*\* Place parts in a safe location.\*\***
- Make your nozzle selection from your kit.
- Attached # 12A Shower Head Nozzle to # 10 Adjuster Nut



## How To Connect Your Gun To Water Source

- If using NPT Threads: # 1 Gun Grip is manufactured with 1/2" Female NPT threads, To connect the Gun to the water source using 1/2" Male NPT threads. Remove # 16 Garden Hose Adapter and attached the 1/2" Male Pipe threads directly to the grip.
- If using Garden Hose Threads: Make sure # 16 is installed into # 1 Grip. # 16 Adapter is manufactured with 1/2" NPT male threads to attached to # 1 Grip and has 3/4" female Garden Hose threads on the receiving end.

