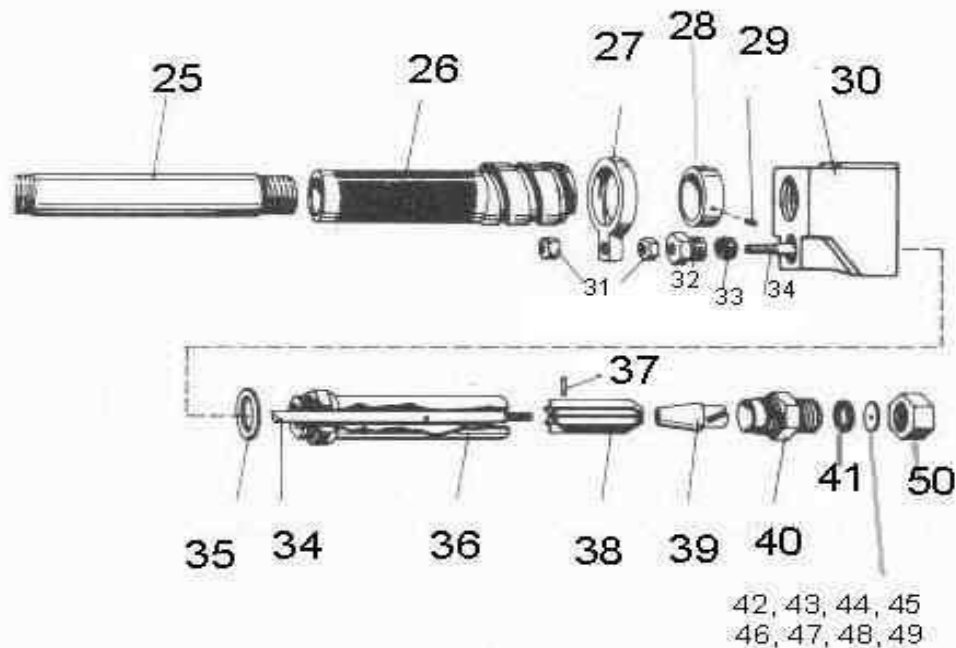


MIGHTY MAG



Ref	Part No.	Item Description
25	12-854-25	Gun Part, Gun Barrel
26	12-854-26	Gun Part, Cam Barrel
27	12-854-27	Gun Part, Cam Nut
28	12-854-28	Gun Part, Collar
29	12-854-29	Gun Part, Set Screw
30	12-854-30	Gun Part, Body
34	12-854-34	Valve Stem
35	12-854-35	O-Ring
36	12-854-36	Outer Tube
37	12-854-37	Roll Pin
38	12-854-38	Stream Straightener
39	12-854-39	Whirler
40	12-854-40	Valve Body
41	12-854-41	Gun Part, Gasket
50	12-854-50	Gun Part, Nozzle Cap

Part #	Description
13-853-50	Repair Kit #1 Includes: 12-850-02 Gasket, 12-853-13 O-Ring, and 12-850-06 Gasket.
13-853-60	Repair Kit #2 Includes: 12-850-02 Gasket, 12-853-13 O-Ring, 12-850-06 Gasket, 12-850-09 Teflon Valve Seat

For Reference numbers 1-24
see Mag-I Gold Exploded View
on the Previous Page

Part #	Description/Hole Diameter	GPM @ 200 psi	GPM @ 300 psi	GPM @ 400 psi	GPM @ 500 psi	GPM @ 600 psi	GPM @ 800 psi
12-854-42	#5 Disc/ .078"	1.7	2.0	2.4	2.7	2.9	3.4
12-854-43	#6 Disc/ .093"	2.4	3.0	3.4	3.8	4.2	4.9
12-854-44	#7 Disc/ .109"	3.3	4.0	4.6	5.0	5.7	6.7
12-854-45	#8 Disc/ .125"	4.2	5.2	6.0	6.6	7.4	8.5
12-854-46	#10 Disc/ .156"	6.5	8.1	9.2	10.3	11.4	13.0
12-854-47	#12 Disc/ .187"	9.8	12.0	13.9	15.5	17.0	19.9
12-854-48	#14 Disc/ .218"	14.9	18.2	21.1	23.5	25.8	29.6
12-854-49	#16 Disc/ .250"	18.8	23.0	26.5	29.6	32.5	37.1