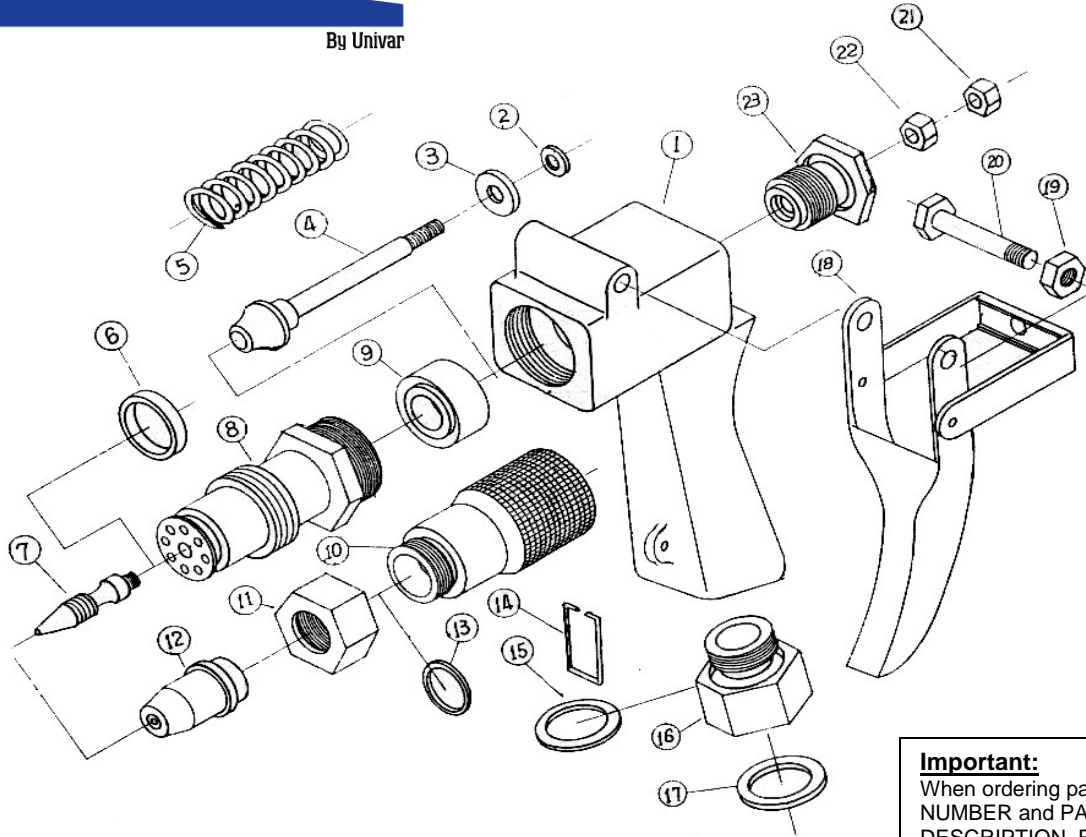


# MasterLine®

By Univar



**Important:**  
When ordering parts, give PART NUMBER and PART DESCRIPTION. Reference Numbers are used only to point out parts in the drawing and are NOT to be used as ordering numbers

| Ref. No. | Part No. | Item Description                        |
|----------|----------|---|
| 1        |          | Grip (12-850-01)                        |
| 2        | 648416   | O-Ring (12-850-02) ▲■●                  |
| 3        |          | Gasket (12-850-03)                      |
| 4        | 648421   | Stainless Steel Valve (12-850-04) ●     |
| 5        | 649127   | Valve Spring (12-850-05)                |
| 6        |          | Gasket (12-853-06) ▲■●                  |
| 7        | 648422   | Whirler (12-853-07) ●                   |
| 8        |          | Adjustable Body, (12-853-08)            |
| 9        | 648424   | Teflon Valve Seat (12-850-09) ■●        |
| 10       | 716051   | Adjuster Nut (12-853-10)                |
| 11       | 716052   | Cap (12-853-11)                         |
| 12       | 705011   | Nozzle, 1–3 GPM (12-853-12S)            |
|          | 705012   | Nozzle, 3–5 GPM (12-853-12M)            |
|          | 705013   | Nozzle, 5–7 GPM (Standard) (12-853-12L) |
|          | 705014   | Nozzle, 7–10 GPM (12-853-12XL)          |
| 13       | 716054   | O-Ring (12-853-13) ▲■●                  |
| 14       | 648420   | Trigger Stopper Clip (12-850-14)        |
| 15       | 716060   | Gasket 25x18x2.0 (12-850-15)            |
| 16       | 649126   | ¾" Garden Hose Coupler (12-850-16)      |
| 17       | 716058   | Gasket 27x18x2.0 (12-850-17)            |

| Ref. No. | Part No. | Item Description  |
|----------|----------|---|
| 18       | 648415   | Stainless Steel Trigger (12-850-18)                           |
| 19       | 706989   | Nut (M6 x 1.0) (12-850-19)                                    |
| 20       | 706988   | Bolt (M6 x 1.0) (12-850-20)                                   |
| 21       | 706989   | Nut (M6 x 1.0) (12-850-19)                                    |
| 22       | 706989   | Nut (M6 x 1.0) (12-850-19)                                    |
| 23       |          | Gun Part, Gland (12-850-23)                                   |
| 24       |          | Brass Adapter to Convert FMC 785 Grip to GNC Grip (12-850-24) |

## Repair Kits

| Part # | Description   |
|--------|---|
| 716297 | <b>Repair Kit #1 Includes:</b> (Ref #2) Gasket, (Ref #13) O-Ring, (Ref #6) Gasket (13-853-50) ▲   |
| 648406 | <b>Repair Kit #2 Includes:</b> (Ref #2) Gasket, (Ref #13) O-Ring, (Ref #6) Gasket, (Ref #9) Teflon Valve Seat (13-853-60) ◆   |
| 716298 | <b>Rebuild Kit Includes:</b> (Ref #2) Gasket, (Ref #13) O-Ring, (Ref #6) Gasket, (Ref #9) Teflon Valve Seat, (Ref #7) Whirler, (Ref #4) Stainless Steel Valve (13-853-75) ● |